



# AE-HL-3 Eye-Bolts

For "S"-Type Loadcells



## Short description:

- Easy installation.
- Alloy Steel.
- Can be used with Load Cell models: AE-H3, AE-H3f and AE-BM3.

## Available models:

Model	Capacity	Full article description	
AE-HL-3-003	25Kg-50Kg*	AE-HL-3-25/50Kg/100Kg*-LM M8	
AE-HL-3-003	100Kg-150Kg	AE-HL-3-100/150Kg-LM M10	
AE-HL-3-003	200Kg-1t	AE-HL-3-200/1000Kg-LM M12x1,75	
AE-HL-3-003	1,5t	AE-HL-3-1,5t-LM M12-1,75 (63mm)	
AE-HL-3-003	2t-3t	AE-HL-3-2/3t-LM M20x1,5	
AE-HL-3-003	5t	AE-HL-3-5t-LM M20x1,5 GA20	
AE-HL-3-003	5t-7,5t	AE-HL-5/6/7,5t (M24x2,0 BM3)	
AE-HL-3-003	10t	AE-HL-3-10t-LM M30x2,0	
AE-HL-3-003	10t	AE-HL-3-10t-LM M33x3,0 (EM35-22-501)	
AE-HL-3-003	20t	AE-HL-3-10t-LM M42x3,0 (EM45)	
AE-HL-3-003	30t	AE-HL-3-10t-LM M42x3,0 (EM50 custom)	

\* = The AE-HL-3-003 25/50kg M8 version is also suited for 100kg capacity of the AEBM3, AEB3G and AEH3G load cells.

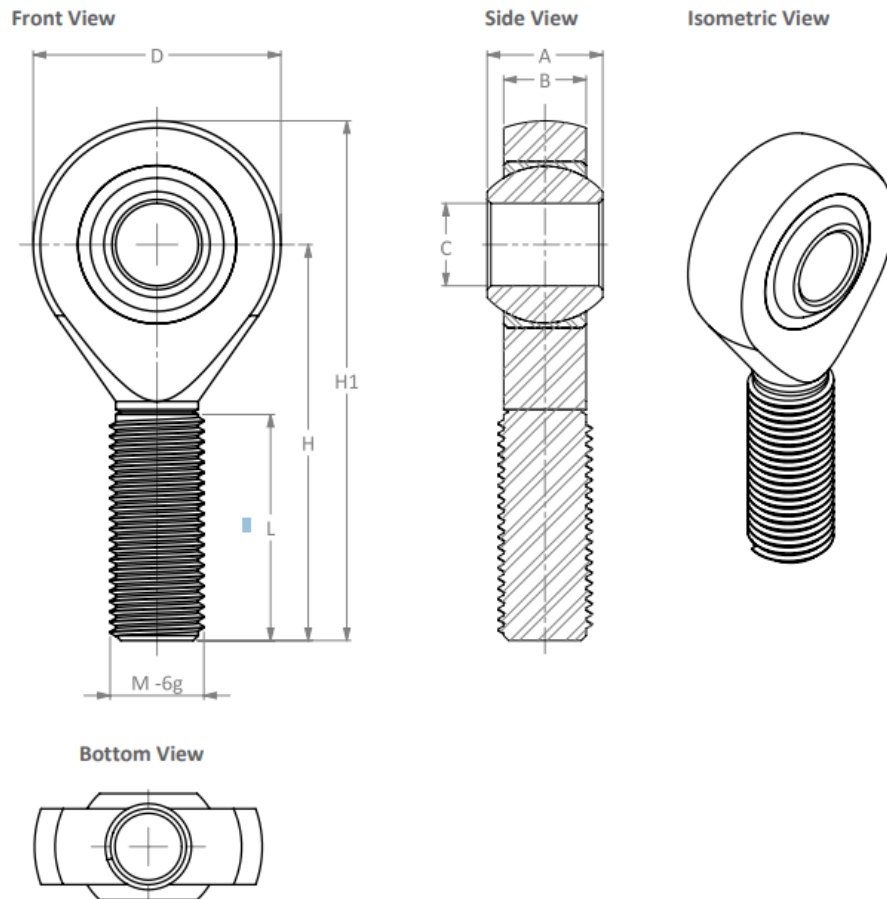
## Detailed Specifications AE-HL-3:

Capacity	25-50Kg	100-150Kg	200-1000Kg	1,5t	2-3t	5t	5-7,5t	10t	20t	30t
Max static lifting weight	200Kg	500Kg	1,08t	3,0t	4,0t	6,0t	10t	18,4t	27,6t	33,9t
Max dynamic lifting weight	22Kg	70Kg	0,49t	0,74t	1,6t	2,4t	4,3t	6,9t	10,7t	13,2t

Please note: The maximal mounting force is dependent on the applied dynamic force.

[WWW.AESENSORS.NL](http://WWW.AESENSORS.NL)

Dimensions in mm:



Capacity:	A	B	C	D	H	H1	L	MxPitch
25Kg-50Kg*	8	6,5	8	24	42	55	27	M8x1,25
100Kg-150Kg	9	7,5	10	30	48	63	30	M10x1,5
200Kg-1t	10	8,5	12	35	55	72	35	M12x1,75
1,5t	16	13,5	20	54	63	92	28	M12x1,75
2t-3t	16	13,5	20	54	79	105	49	M20x1,5
5t	25	18	20	50	78	103	47	M20x1,5
5t-7,5t	20	16	25	62	94	125	57	M24x2,0
10t	37	25	30	70	110	145	71	M30x3,0
10t	25	20	35	82	140	181	92	M33x3,0
20t	32	25	45	102	163	214	98	M42x3,0
30t	35	28	50	112	185	241		M42x3,0

Specifications and dimensions are subject to change without notice and do not constitute any liability whatsoever