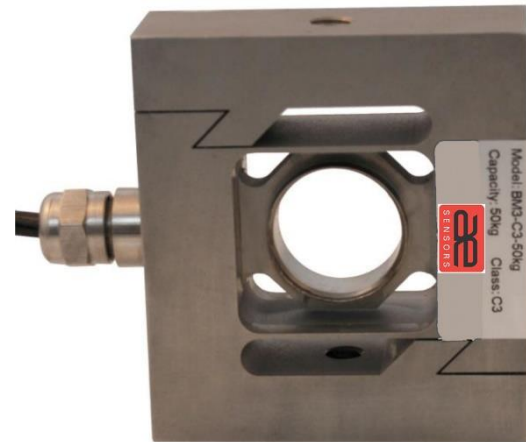




**AE Sensors B.V.**  
 Jan Valsterweg 92  
 3315 LG Dordrecht  
 Tel.: +31 (0)78 6213152

# AE-BM3 "S"-type Loadcell

For Tension and Compression Loadcells



## Short description:

- Stainless steel IP67 "S" type load cell.
- Tension and compression applications.
- Suitable for hanging, hopper and other weighing devices.
- Also available in imperial capacities and dimensions.

test certificate no. D09-06.07  
 C of C no R60/2000-CNI-06.02

Certificate no. 06-099A1

## Available models:

Capacity	Full article description	Accuracy
50 kg	AE-BM3-C3-50kg-3B	C3 Excluded from OIML
100 kg	AE-BM3-C3/C4-100kg-3B	C3 Excluded from OIML
150 kg	AE-BM3-C3/C4-150kg-3B	C3 Excluded from OIML
200 kg	AE-BM3-C3/C4-200kg-3B	C3 Excluded from OIML
250 kg	AE-BM3-C3/C4-250kg-3B	C3 Excluded from OIML
0,5 t	AE-BM3-C3/C4-0,5t-6B	C3
1 t	AE-BM3-C3-1t-6B	C3
2 t	AE-BM3-C3-2t-6B	C3
3 t	AE-BM3-C3-2t-6B	C3
4 t	AE-BM3-C3-4t-6B	C3
5 t	AE-BM3-C3-5t-6B	C3
6 t	AE-BM3-C3-6t-6B	C3
7,5 t	AE-BM3-C3-7,5t-6B	C3

Specifications and dimensions are subject to change without notice and do not constitute any liability whatsoever.

**WWW.AESENSORS.NL**



**AE Sensors B.V.**  
 Jan Valsterweg 92  
 3315 LG Dordrecht  
 Tel.: +31 (0)78 6213152

# AE-BM3 "S"-type Loadcell

**For Tension and Compression Loadcells**

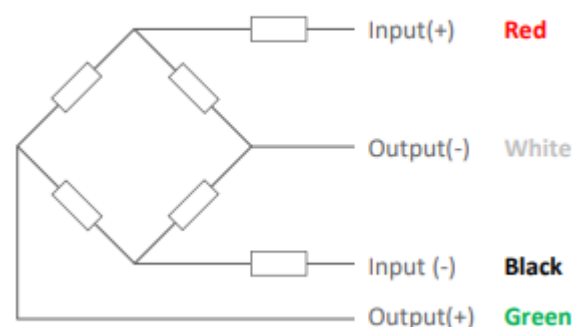
## Technical specifications:

Accuracy class		C3	OIML R60 C3	
Output sensitivity ( = FS )	mV/V	2.0 ± 0.008	2.0 ± 0.004	
Maximum capacity ( Emax )	t	0.05, 1, 0.15, 0.2, 0.25	0.5, 1, 2, 3, 4, 5, 6, 7.5	
Max. number of load cell intervals	$n_{LC}$	3000		
Ratio of min. LC verification interval	$Y = E_{max} / v_{min}$	7000	12000	
Combined Error	%FS	± 0.0230		
Minimum dead load	of Emax	0%		
Safe overload	of Emax	150 %		
Ultimate overload	of Emax	300 %		
Zero balance	of FS	< ± 1.5 %		
Excitation, recommended voltage	V	5 ~ 12		
Excitation maximum	V	18		
Input resistance	Ω	350 ± 3		
Output resistance	Ω	350 ± 3		
Insulation resistance	MΩ	≥5000 ( at 50VDC )		
Compensated temperature	°C	-10 ~ +40		
Operating temperature	°C	-35 ~ +65		
Storage temperature	°C	-40 ~ +70		
Element material		Stainless steel		
Ingress Protection (acc. to EN 60529)		IP68		
ATEX classification (optional)		II1G Ex ia II1C T4	II1D Ex iaD 20 T73°C	II3G nL IIC T4

## Wiring:

- Shielded, 4 conductor cable.
- Cable diameter: Ø 5mm.
- Standard cable length for: 500Kg 3m all other capacities 6m.
- Shield not connected to element.

**4-Wire Connection Diagram**



Specifications and dimensions are subject to change without notice and do not constitute any liability whatsoever.

**WWW.AESENSORS.NL**

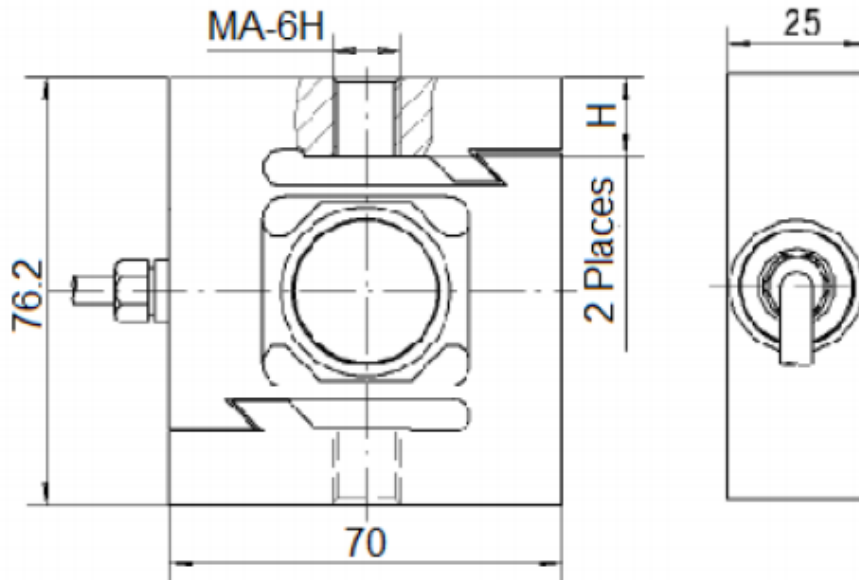


AE Sensors B.V.  
 Jan Valsterweg 92  
 3315 LG Dordrecht  
 Tel.: +31 (0)78 6213152

# AE-BM3 "S"-type Loadcell

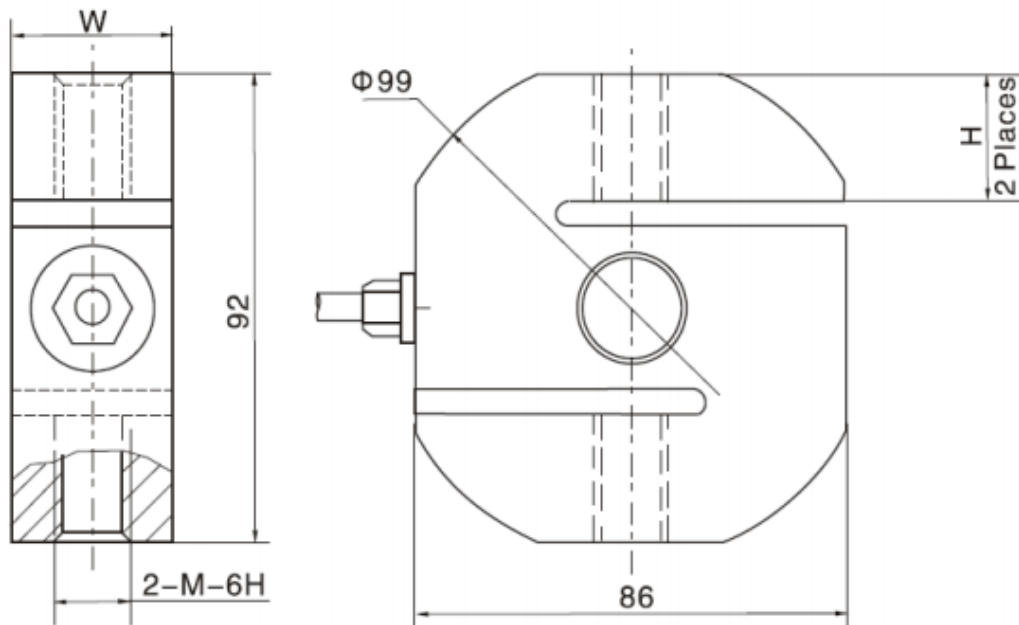
For Tension and Compression Loadcells

Dimensions in mm:



Dimension Capacity	MA-6H	H
50kg, 100kg	M8	13
150kg - 250kg	M12 x 1.75	14

Dimension Capacity	W	H	2-M-6H
0.5t, 1t	32	25	M12 x 1.75
2t, 3t	32	25	M20 x 1.5
4t	36	25	M20 x 1.5
5t, 6t, 7.5t	50	24	M24 x 2



Specifications and dimensions are subject to change without notice and do not constitute any liability whatsoever.

[WWW.AESENSORS.NL](http://WWW.AESENSORS.NL)


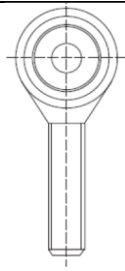
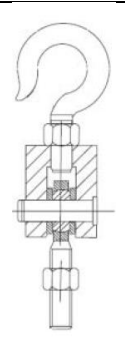
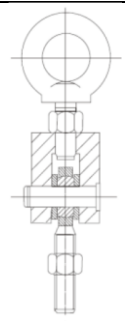
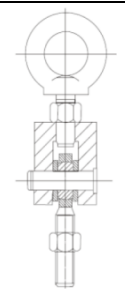


**AE Sensors B.V.**  
Jan Valsterweg 92  
3315 LG Dordrecht  
Tel.: +31 (0)78 6213152

# AE-BM3 "S"-type Loadcell

**For Tension and Compression Loadcells**

## Available accessories:

<p>AE-HL-3-001-25Kg-5t hook</p> <ul style="list-style-type: none"><li>• Alloy Steel</li><li>• Suitable for hybrid scales, cranes scales, packaging scales and hopper scales</li></ul>	
<p>AE-HL-3-002-25Kg-5t eye</p> <ul style="list-style-type: none"><li>• Alloy Steel</li><li>• Suitable for hybrid scales, cranes scales, packaging scales and hopper scales</li></ul>	
<p>AE-HL-3-003-25Kg-5t rod end</p> <ul style="list-style-type: none"><li>• Alloy Steel</li><li>• Suitable for hybrid scales, cranes scales, packaging scales and hopper scales and other electronic weighing devices.</li></ul>	
<p>AE-HL-3-004-25Kg-5t hook assembly</p> <ul style="list-style-type: none"><li>• Alloy Steel</li><li>• Suitable for hybrid scales, cranes scales, packaging scales and hopper scales and other electronic weighing devices.</li></ul>	
<p>AE-HL-3-005-25Kg-5t eye assembly</p> <ul style="list-style-type: none"><li>• Alloy Steel</li><li>• Suitable for hybrid scales, cranes scales, packaging scales and hopper scales and other electronic weighing devices.</li></ul>	

Specifications and dimensions are subject to change without notice and do not constitute any liability whatsoever.

[WWW.AESENSORS.NL](http://WWW.AESENSORS.NL)