



AE Sensors B.V.
Jan Valsterweg 92
3315 LG Dordrecht, NL
Tel.: +31 (0)78 6213152

AE-600 serie
Differential Pressure Sensor

AE-600

Differential Pressure Sensor

The AE 600 differential pressure transducer is designed for measuring low differential pressures up to a maximum of 1000 mbar. The whole is mounted in an aluminum housing.

The AE600 series low pressure transmitters are equipped with high-precision piezo-resistive sensors and very stable integrated signal conditioners. The AE 600 is a special suitable instrument for industrial applications. The AE 600 can also be fitted of a built-in 4 digit display for local designation or service purposes. This display is readable through the transparent plastic cover.



Increase availability in various accuracy classes of $\pm 0.5\%$ F.S. to $\pm 0.25\%$ F.S., The price/performance ratio makes these transmitters extremely suitable for the air handling/air conditioning industry, for filter pollution measurements, meteorological applications, computer rooms, climate chambers, oven controls etc.

The AE 600 has a standard output of 4-20 mA or 0-10 VDC, which can be connected via a jumper is to choose. This sensor also has a switching output NO or NC, npn 40V/2A.

Ambient and Process temperature $-10^{\circ}\dots+50^{\circ}\text{C}$.

Enclosure : Aluminum IP65, Dimensions : 100 x 65 x 45 mm.

Optionally, 4-digit LCD display is available.

WWW.AESENSORS.NL



AE Sensors B.V.
Jan Valsterweg 92
3315 LG Dordrecht, NL
Tel.: +31 (0)78 6213152

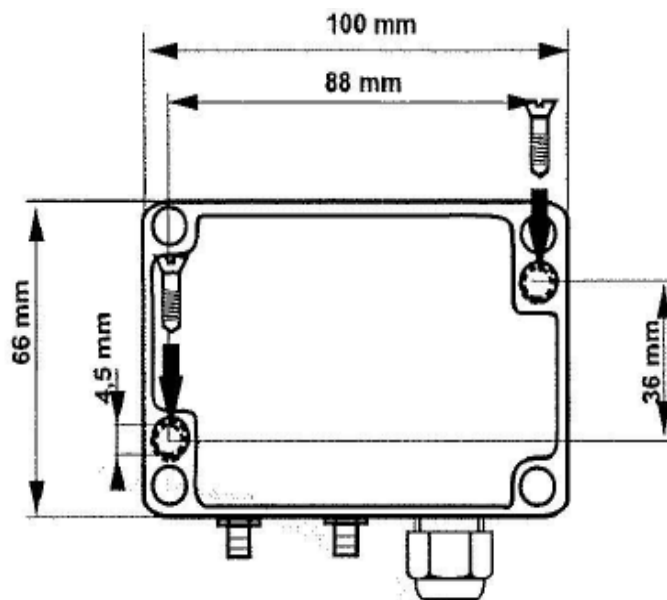
AE-600 serie

Differential Pressure Sensor

Ordering code:

AE	6	X	X	-	X	X	X	
								1 : Output 4-20 mA (2-wire) or 0-10VDC. 0 : Accuracy $\pm 0.5\%$ FS. 1: Accuracy $\pm 0.25\%$ FS. 0 : Supply 14...32 VDC. 0 : Housing Aluminum. 0 : No display. 1 : 4 digit display built-in.

Afmetingen:



WWW.AESENSORS.NL