



AE Sensors B.V.
Jan Valsterweg 92
3315 LG Dordrecht, NL
Tel.: +31 (0)78 6213152

AE-1000 serie

Barometric Pressure Sensor

AE-1000 Electronic Barometric

The Electronic Barometer AE1000 is designed for measuring absolute barometric pressures. The whole is mounted in an aluminum housing.



The AE1000 has a standard output of 4-20 mA and 0-10 VDC, which can be selected via a jumper. This sensor also has a switching output NO or NC, npn 40V/2A. Optionally, a 4-digit LCD display is available.

The AE 1000 has a standard output of 4-20 mA or 0-10 VDC, which can be connected via a jumper is to choose.

Ambient and Process temperature -10° ...+50°C.

Enclosure : Aluminum IP65, Dimensions : 100 x 65 x 45 mm.

Optionally, 4-digit LCD display is available.

WWW.AESENSORS.NL



AE Sensors B.V.
Jan Valsterweg 92
3315 LG Dordrecht, NL
Tel.: +31 (0)78 6213152

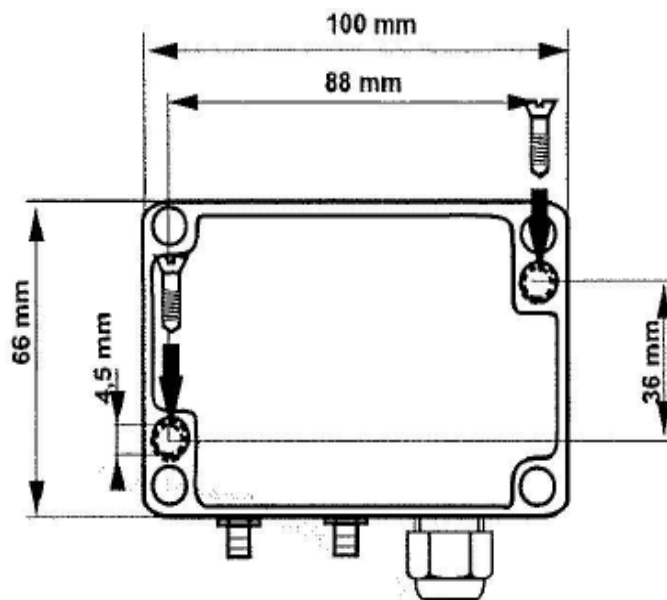
AE-1000 serie

Barometric Pressure Sensor

Ordering code:

AE	10	X	X	-	X	X	X	
								<p>1 : Output 4-20 mA (2-wire) or 0-10VDC.</p> <p>0 : Accuracy $\pm 0.5\%$ FS. 1: Accuracy $\pm 0.25\%$ FS.</p> <p>0 : Supply 14...32 VDC.</p> <p>0 : Housing Aluminum.</p> <p>0 : No display. 1 : 4 digit display built-in.</p>

Afmetingen:



WWW.AESENSORS.NL