



AE Sensors B.V.
 Jan Valsterweg 92
 3315 LG Dordrecht
 Tel.: +31 (0)78 6213152


AE-H3 "S"-type Loadcell

For Tension and Compression Loadcells



Short description:

- Nickel Plated alloy steel IP67 "S" type load cell.
- Tension and compression applications.
- Suitable for hanging, hopper and other weighing devices.
- Also available in imperial capacities and dimensions.

 test certificate no. D09-06.07
 C of C no R60/2000-CNI-06.02

 Certificate no. 06-099A1

Available models:

Capacity	Full article description	Accuracy
25 kg	AE-H3-C3-25kg-3B	C3
50 kg	AE-H3-C3-50kg-3B	C3
100 kg	AE-H3-C3/C4-100kg-3B	C3/C4
150 kg	AE-H3-C3/C4-150kg-3B	C3/C4
200 kg	AE-H3-C3/C4-200kg-3B	C3/C4
300 kg	AE-H3-C3/C4-300kg-3B	C3/C4
500 kg	AE-H3-C3/C4-500kg-3B	C3/C4
600 kg	AE-H3-C3/C4-600kg-3B	C3/C4
750 kg	AE-H3-C3/C4-750kg-3B	C3/C4
1 t	AE-H3-C3/C4-1t-3B	C3/C4
1,5 t	AE-H3-C3/C4-1,5t-3B	C3/C4
2 t	AE-H3-C3/C4-2t-6B	C3/C4
2,5 t	AE-H3-C3/C4-2,5t-6B	C3/C4
3 t	AE-H3-C3-3t-6B	C3 Excluded from OIML
5 t	AE-H3-C3-5t-6B	C3 Excluded from OIML
7,5 t	AE-H3-C3-7,5t-6B	C3 Excluded from OIML
10 t	AE-H3-C3-10t-6B	C3 Excluded from OIML
15 t	AE-H3-C3-15t-6B	C3 Excluded from OIML
20 t	AE-H3-C3-20t-6B	C3 Excluded from OIML
30 t	AE-H3-C3-30t-6B	C3 Excluded from OIML

Specifications and dimensions are subject to change without notice and do not constitute any liability whatsoever.

WWW.AESENSORS.NL



AE Sensors B.V.
 Jan Valsterweg 92
 3315 LG Dordrecht
 Tel.: +31 (0)78 6213152

AE-H3 "S"-type Loadcell

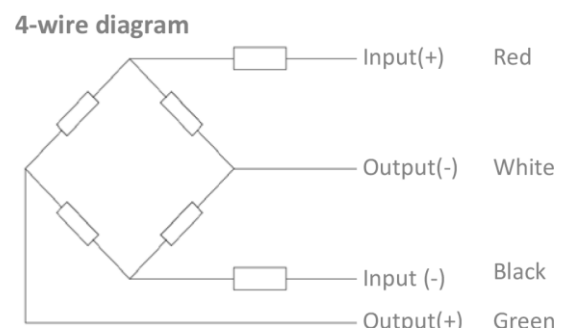
For Tension and Compression Loadcells

Technical specifications:

Accuracy class		OIML R60 C3	OIML R60 C4	C3
Output sensitivity (= FS)	mV/V	2.0 ± 0.004		
Maximum capacity (Emax)	t	0.1, 0.15, 0.2, 0.25, 0.3, 0.5, 0.6, 0.75, 1, 1.5, 2, 2.5		0.025, 0.05, 3.0, 5.0, 7.5, 10, 15, 20, 30
Max. number of load cell intervals	n _{LC}	3000	4000	3000
Ratio of min. LC verification interval	Y = Emax / v _{min}	10000	20000	10000
Combined Error	%FS	≤± 0.020	≤± 0.018	≤± 0.020
Minimum dead load	of Emax	0%		
Safe overload	of Emax	150 %		
Ultimate overload	of Emax	300 %		
Zero balance	of FS	< ± 1.5 %		
Excitation, recommended voltage	V	5 ~ 12		
Excitation maximum	V	18		
Input resistance	Ω	350 ± 3.5		
Output resistance	Ω	351 ± 2.0		
Insulation resistance	MΩ	≥5000 (at 50VDC)		
Compensated temperature	°C	-10 ~ +40		
Operating temperature	°C	-35 ~ +65		
Storage temperature	°C	-40 ~ +70		
Element material		Nickel plated alloy steel		
Ingress Protection (acc. to EN 60529)		IP67		
Recommended torque on fixation	Nm	M8:25 M10: 50 M12:75 M20:450 M33:750 M42:1450		
ATEX classification (optional)		II1G Ex ia II1C T4	II1D Ex iaD 20 T73°C	II3G nL IIC T4

Wiring:

- Shielded, 4 conductor cable.
- Cable diameter: Ø 5mm.
- Standard cable length for 25kg – 1.5t: 3m and for 2t – 30t: 6m.
- Shield not connected to element.



Specifications and dimensions are subject to change without notice and do not constitute any liability whatsoever.

WWW.AESENSORS.NL

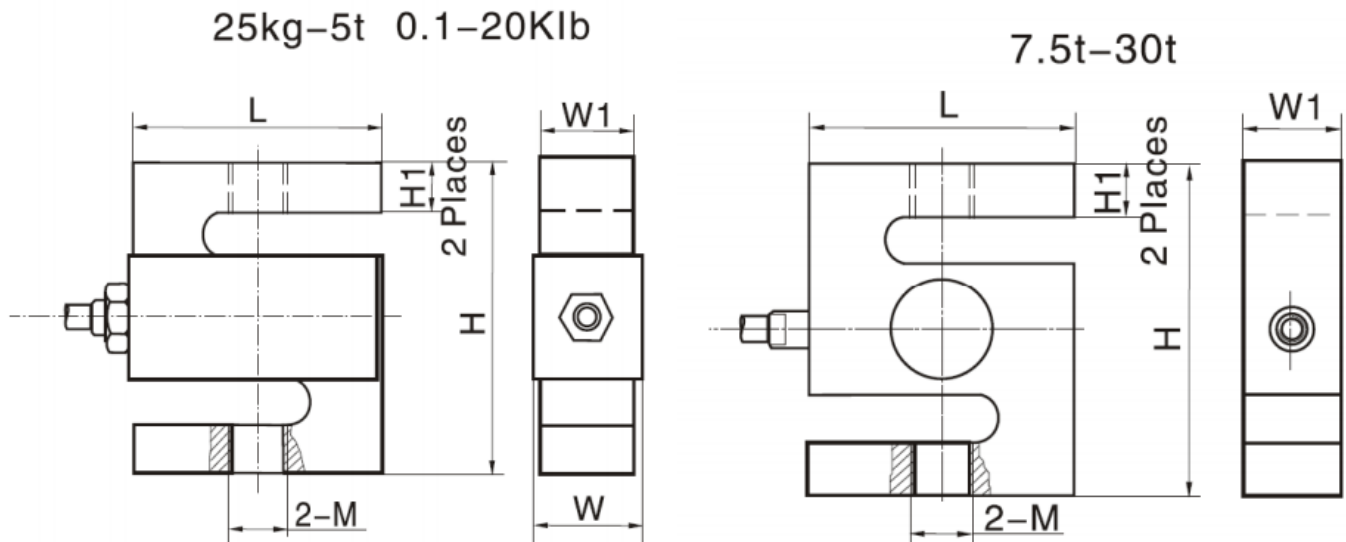


AE Sensors B.V.
 Jan Valsterweg 92
 3315 LG Dordrecht
 Tel.: +31 (0)78 6213152

AE-H3 "S"-type Loadcell

For Tension and Compression Loadcells

Dimensions in mm:



Dimension Capacity	L	H	W1	W	H1	M
25-50 kg	50,8	76,2	12,7	14,5	15,7	M8
100-150 kg	50,8	76,2	19,0	22,4	15,3	M10 x 1,5
200-750 kg	50,8	76,2	19,0	22,4	14,4	M12 x 1,75
1-1,5 t	50,8	76,2	25,4	28,8	12,5	M12 x 1,75
2-5 t	76,2	101,6	25,4	28,8	20	M20 x 1,5
7,5-10 t	125	175	50	-	40,2	M33 x 3
15-20 t	160	200	60	-	51	M45 x 3
30 t	190	230	80	-	57,5	M45 x 3

Specifications and dimensions are subject to change without notice and do not constitute any liability whatsoever.

WWW.AESENSORS.NL


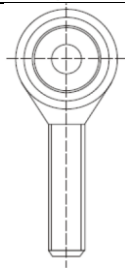
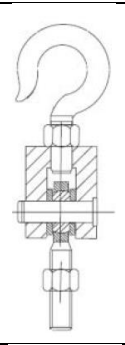
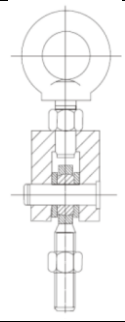
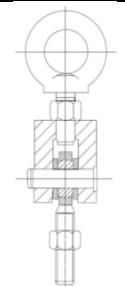


AE Sensors B.V.
Jan Valsterweg 92
3315 LG Dordrecht
Tel.: +31 (0)78 6213152

AE-H3 "S"-type Loadcell

For Tension and Compression Loadcells

Available accessories:

<p>AE-HL-3-001-25Kg-5t hook</p> <ul style="list-style-type: none">• Alloy Steel• Suitable for hybrid scales, cranes scales, packaging scales and hopper scales	
<p>AE-HL-3-002-25Kg-5t eye</p> <ul style="list-style-type: none">• Alloy Steel• Suitable for hybrid scales, cranes scales, packaging scales and hopper scales	
<p>AE-HL-3-003-25Kg-5t rod end</p> <ul style="list-style-type: none">• Alloy Steel• Suitable for hybrid scales, cranes scales, packaging scales and hopper scales and other electronic weighing devices.	
<p>AE-HL-3-004-25Kg-5t hook assembly</p> <ul style="list-style-type: none">• Alloy Steel• Suitable for hybrid scales, cranes scales, packaging scales and hopper scales and other electronic weighing devices.	
<p>AE-HL-3-005-25Kg-5t eye assembly</p> <ul style="list-style-type: none">• Alloy Steel• Suitable for hybrid scales, cranes scales, packaging scales and hopper scales and other electronic weighing devices.	

Specifications and dimensions are subject to change without notice and do not constitute any liability whatsoever.

WWW.AESENSORS.NL