

Accurate, repeatable non-contact position sensing

- Single & dual channel output
- Linear or angular measurement
- Non-contact, two part design
- No moving sensor parts
- Unlimited mechanical life
- Submersible



OUTPUT

Measuring range	Rotary: $\pm 45^\circ$ Linear: range governed by activator shape	
Output range	Supply Voltage	Output Voltage
Single Channel	5V	0-4.3V
	6V	0-4.5V
Dual Channel Ratiometric	5V	4.6V
	6V	5V
Range accuracy	$\pm 3\%$ over full temperature range	

MECHANICAL

Sensor size	19 x 25.5 x 64mm (D x W x L)
Mounting	2 x $\varnothing 4$ mm holes on a 30mm pitch
Weight	34g
Activator materials	Tinned steel, EN3B painted mild steel or similar, plastic/copper foil. Contact Gill for more details
Materials compatibility	Water, engine oil, engine coolant, diesel fuel, gasoline, salt spray, degreaser, degreaser tsp, ammonia and dust. All common automotive liquids and materials

ELECTRICAL

Supply voltage	6 - 30V DC
Over voltage protection	>31V DC
Supply current	<10mA
Reverse polarity protection	to -30V DC
Resolution	10 bit
Sample rate	1KHz

ENVIRONMENTAL

Protection	IP67
Operating temperature	-40° to +85°C (standard)
Storage temperature	-40° to +85°C
Dither life	Non-contact: no deterioration through use

OPTIONS

Wiring	Top exit flying lead Rear exit flying lead Integral AMP connector
Output	Single analogue Single 5V ratiometric Dual analogue

ORDERING

Single Output:	Dual Output:	5V Ratiometric output:
021 = Integrated AMP connector	062 = 0.5m flying lead top exit	051 = Integrated connector
022 = 0.5m flying lead top exit		052 = 0.5m flying lead top exit
023 = 0.5m flying lead rear exit		053 = 0.5m flying lead rear exit

1356 - 10 -

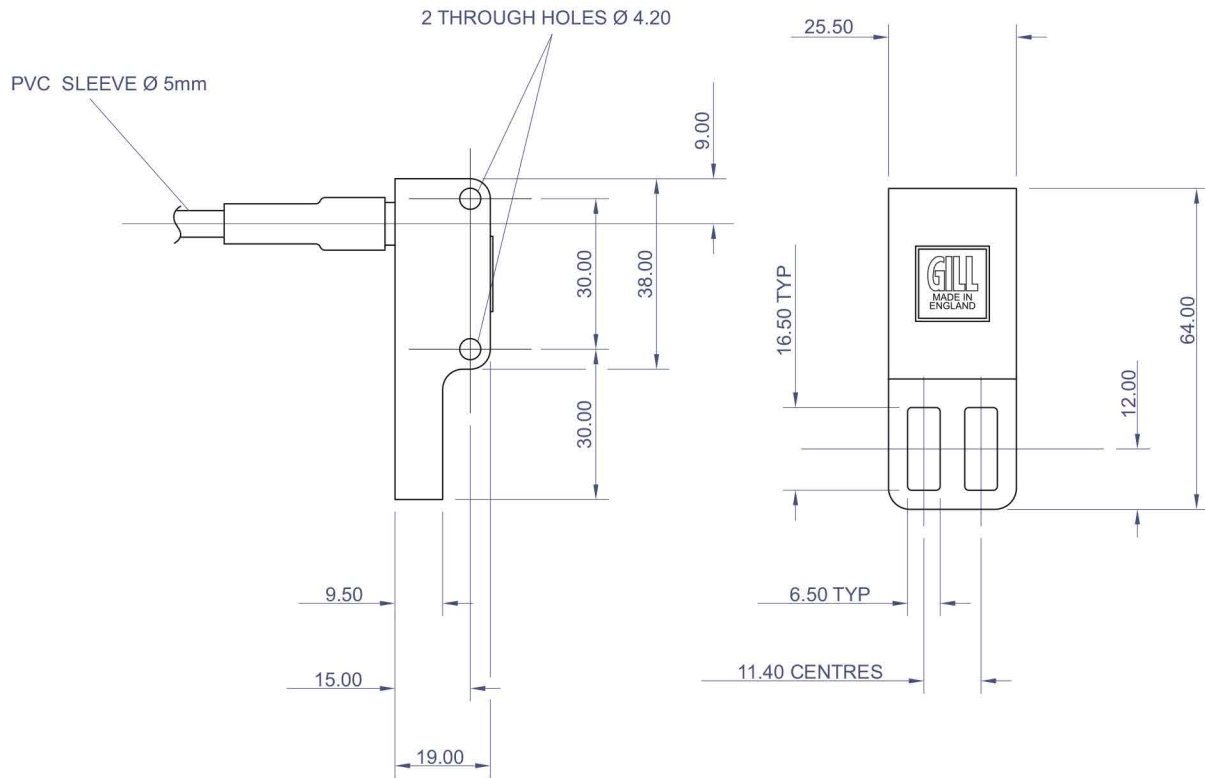
More information at



AE Sensors B.V.
Postbus 9084, 3301 AB Dordrecht NL
Tel.: +31 (0)78 6213152
E-mail : aesensors@aesensors.nl
Website : www.aesensors.nl



DIMENSIONS



Model shown 1356-10-022

WIRING DESIGNATION

	Red	Supply
	Blue	System & power ground
	Yellow	Analogue Output