



Short description:

- Fit for 4-wire and 6-wire load cells.
- Easy installation.
- Cast aluminium housing.
- Protective coating.

Available models:

Model	Amount of connections	Full article description	
AE-JB-xx	2	AE-JB-02C-2	
	3	AE-JB-02C-3	
	4	AE-JB-02C-4	

Detailed specifications AE-JB-S304:

Load cell output resistance range	Ω	340 to 1100
Load cell input resistance range	Ω	340 to 1100
Excitation recommended voltage	V(AC&DC)	5 tot 20
Excitation, maximum	V(AC&DC)	30
Load cell sensitivity range	mV/V	0,6 – 3
Cable \varnothing	mm	5 to 6,2
Correction method		Excitation trim
Trimming range	Ω	24
Temperature range, operating	$^{\circ}\text{C}$	-40...+85
Ingress protection		IP65
Housing connected to shield		Yes
External grounding		No

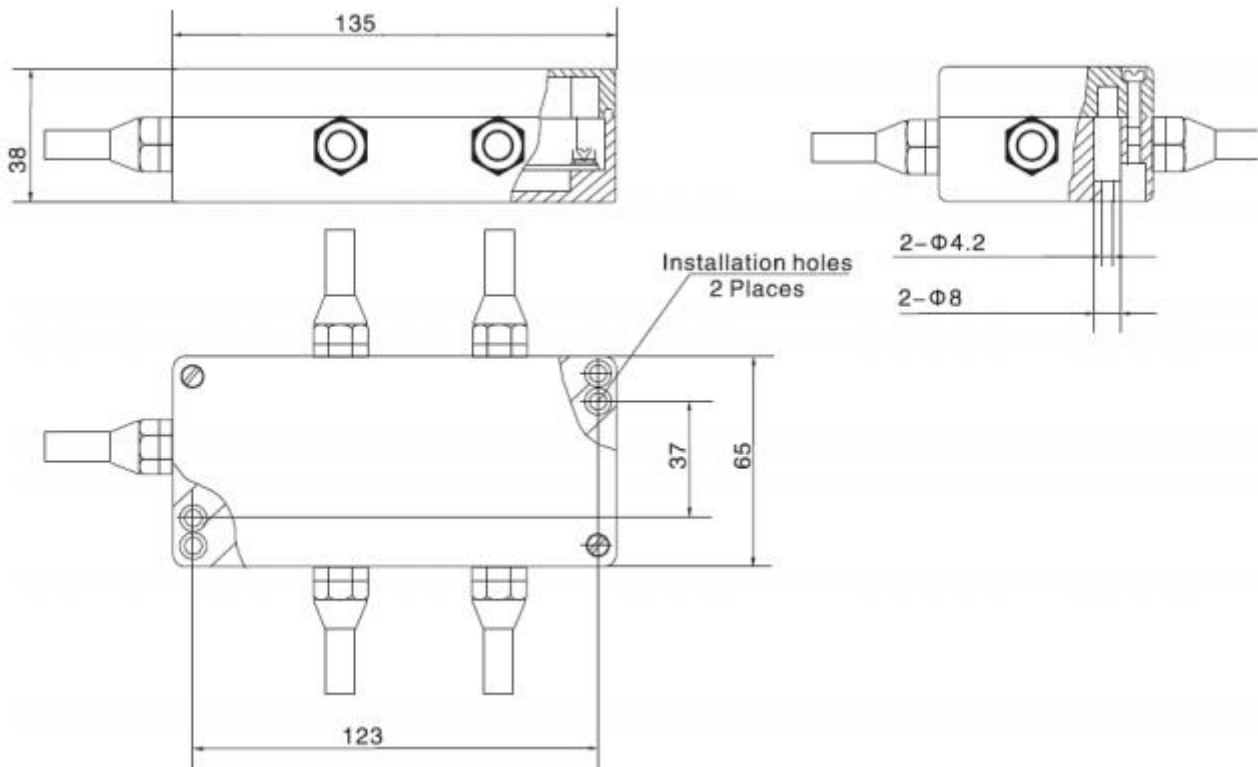


AE-JB-02C Junction Box

For Loadcells

Specifications and dimensions are subject to change without notice and do not constitute any liability whatsoever.

Dimensions in mm:



Specifications and dimensions are subject to change without notice and do not constitute any liability whatsoever.

WWW.AESENSORS.NL