



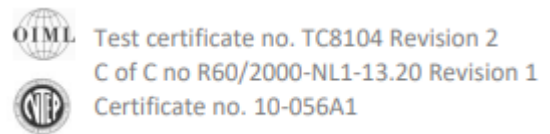
AE-BM8h type Loadcell

For bending beam Loadcells



Short description:

- Stainless steel IP68 Shear beam load cell.
(250 kg is bending beam load cells)
- Suitable for hopper, platform and pallet scales.
- High accuracy.
- Current calibrated (A1-option).



Available models:

Capacity	Full article description	Accuracy
500 kg	AE-BM8H-C3-500kg-3B-A1	C3
1 t	AE-BM8H- C3-1t-3B-A1	C3
1.5 t	AE-BM8H- C3-1.5t-3B-A1	C3
2 t	AE-BM8H- C3-2t-3B-1A	C3
5 t	AE-BM8H- C3-5t-3B-1A	C3

Specifications and dimensions are subject to change without notice and do not constitute any liability whatsoever.

WWW.AESENSORS.NL

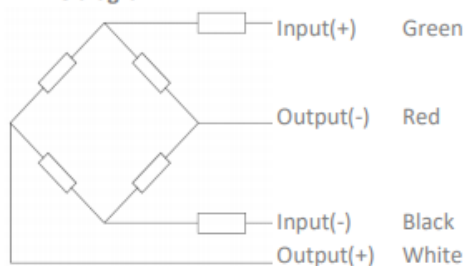
Detailed specifications:

Accuracy class		OIML R60 C3		
Output sensitivity (= FS)	mV/V	3.0 ± 0.008		
Maximum capacity (Emax)	t	0.5, 1, 1.5, 2, 5		
Max. number of load cell intervals	n_{LC}	3000		
Ratio of min. LC verification interval	$Y = E_{max} / v_{min}$	15000		
Combined Error	%FS	≤± 0.0230		
Minimum dead load	of Emax	0%		
Safe overload	of Emax	150 %		
Ultimate overload	of Emax	300 %		
Zero balance	of FS	< ± 1.0 %		
Excitation, recommended voltage	V	5 ~ 12		
Excitation maximum	V	18		
Input resistance	Ω	1000 ± 10		
Output resistance	Ω	1000 ± 10		
Insulation resistance	MΩ	≥5000 (at 50VDC)		
Compensated temperature	°C	-10 ~ +40		
Operating temperature	°C	-35 ~ +65		
Storage temperature	°C	-40 ~ +90		
Element material		Stainless steel		
Ingress Protection (acc. to EN 60529)		IP68		
Recommended torque on fixation	Nm	M12: 100	M20: 450	
ATEX classification (optional)		II1G Ex ia II1C T4	II1D Ex iaD 20 T73°C	II3G nL IIC T4

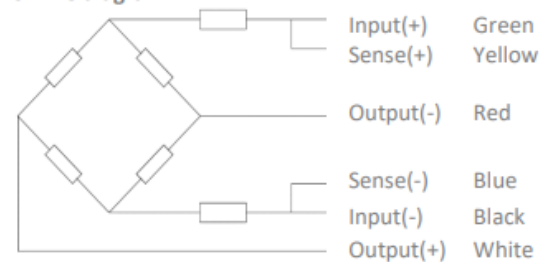
Wiring:

- Shielded, 6 conductor cable and 4 conductor cable for all capacities.
- Cable diameter: Ø 5mm.
- Standard cable length for 500kg – 1t: 3m and for 2t-5t: 6m.
- Shield not connected to element.

4-wire diagram



6-wire diagram



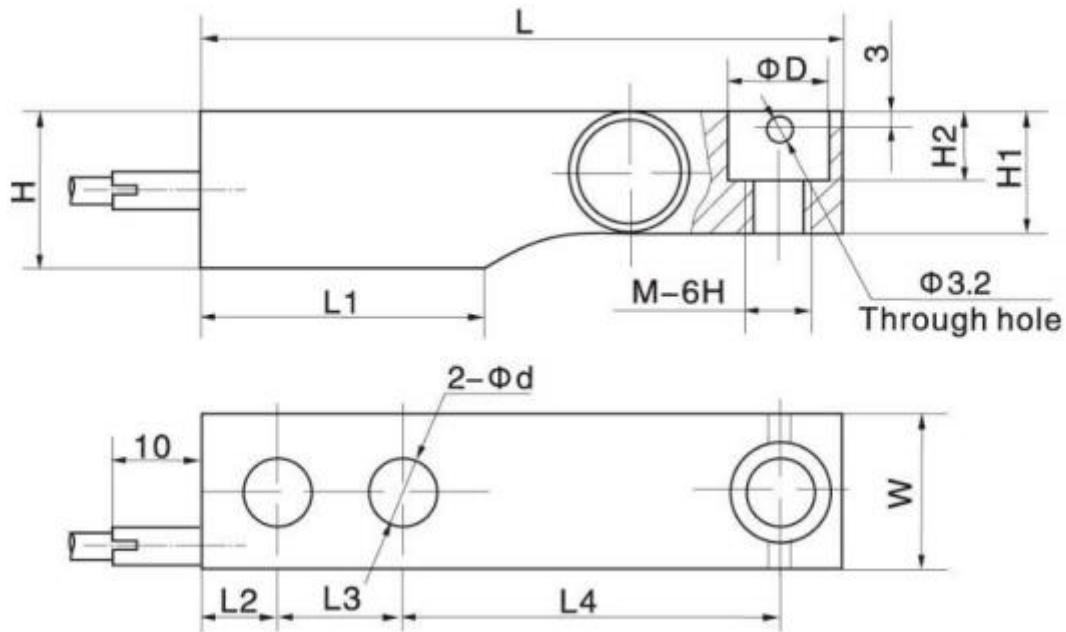
Specifications and dimensions are subject to change without notice and do not constitute any liability whatsoever.



AE-BM8h type Loadcell

For bending beam Loadcells

Dimensions in mm:

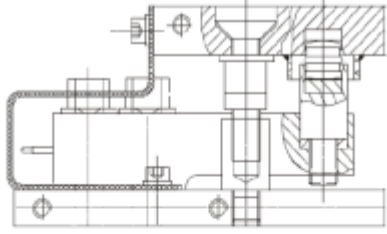
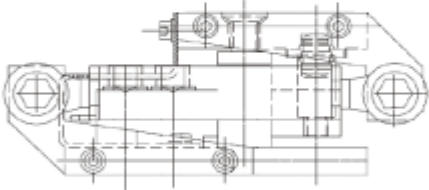
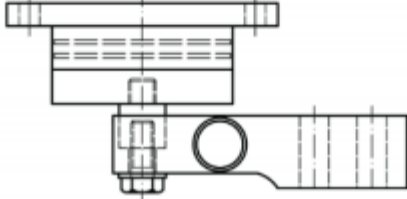
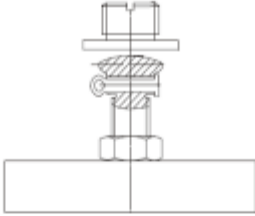
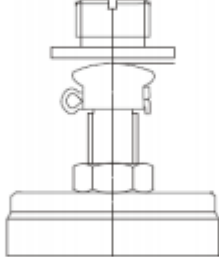
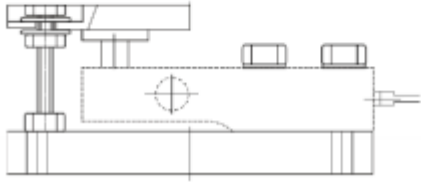


Dimension Capacity	L	L1	L2	L3	L4	H	H1	H2	W	D	d	M
500kg	130.0	57.1	15.5	25.4	76.2	31.8	26.0	14.2	31.8	20.5	13	M12
1t	130.0	57.1	15.5	24.4	76.2	31.8	27.95	14.2	31.8	20.5	13	M12
1.5t-2.0t	130.0	57.1	15.5	25.4	76.2	35.9	31.95	14.2	31.8	20.5	13	M12
5t	172	76.2	19.1	38.1	95.3	44	40	20	38	30.2	20.5	M20

Specifications and dimensions are subject to change without notice and do not constitute any liability whatsoever.

WWW.AESENSORS.NL

Available accessories:

<p>BM-8-411- 0.5-5t tankmount</p> <ul style="list-style-type: none"> • Stainless steel mount • Easy load cell access • Self aligning construction • Lift-off protection • Controlled horizontal movement 	
<p>BM-8-412- 0.5-5t stabilized tankmount</p> <ul style="list-style-type: none"> • BM-8-411 + stay rod • Stainless steel mount • Easy load cell access • Self aligning construction • Lift-off protection • Stabilized by stay rod 	
<p>Elastomer BM8H 0.5-5t</p> <ul style="list-style-type: none"> • Easy installation • Suitable for shock load 	
<p>BJ-8-206-0.25-2t adjustable foot Ø 80</p> <ul style="list-style-type: none"> • Easy installation • Adjustable height • Automatically centralized inside • Good ability of anti-side loading 	
<p>BJ-8-207-0.25-5t adjustable foot Ø 60</p> <ul style="list-style-type: none"> • Easy installation • Adjustable height • Automatically centralized inside • Good ability of anti-side loading 	
<p>BM-8-406- 0.25-5t</p> <ul style="list-style-type: none"> • Stainless steel mount • Easy load cell access • Self aligning construction • Lift-off protection • Controlled horizontal movement 	

Specifications and dimensions are subject to change without notice and do not constitute any liability whatsoever.