



AE Sensors B.V.
Jan Valsterweg 92
3315 LG Dordrecht
Tel.: +31 (0)78 6213152


AE-BM14c type Loadcell

For Compression Loadcells



Short description:

- Stainless steel IP68 compression load cell.
- Tension and compression applications.
- Suitable for hanging, hopper and other weighing devices.
- Also available in imperial capacities and dimensions.

 test certificate no. D09-06.07
C of C no R60/2000-CNI-06.02

 Certificate no. 06-099A1

Available models:

Capacity	Full article description	Accuracy
0,5 t	AE-BM14C-C3-0,5t-15B-SC	C3 Excluded from OIML
1 t	AE-BM14C-C3-1t-15B-SC	C3 Excluded from OIML
2 t	AE-BM14C-C3-2t-15B-SC	C3 Excluded from OIML
3 t	AE-BM14C-C3-3t-15B-SC	C3 Excluded from OIML
5 t	AE-BM14C-C3-5t-15B-SC	C3 Excluded from OIML
10 t	AE-BM14C-C3/C4-10t-15B-SC	C3/C4
20 t	AE-BM14C-C3/C4-20t-15B-SC	C3/C4
25 t	AE-BM14C-C3/C4-25t-15B-SC	C3/C4
30 t	AE-BM14C-C3/C4-30t-15B/18B-SC	C3/C4
40 t	AE-BM14C-C3/C4-40t-15B/18B-SC	C3/C4
50 t	AE-BM14C-C3/C4-50t-15B/18B-SC	C3/C4

Specifications and dimensions are subject to change without notice and do not constitute any liability whatsoever.

WWW.AESENSORS.NL



AE Sensors B.V.
 Jan Valsterweg 92
 3315 LG Dordrecht
 Tel.: +31 (0)78 6213152

AE-BM14c type Loadcell

For Compression Loadcells

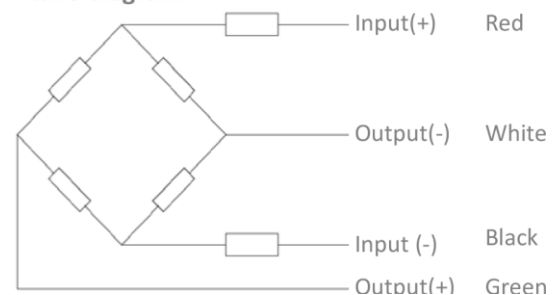
Technical specifications:

Accuracy class		C3	OIML R60 C3	OIML R60 C4
Output sensitivity (= FS)	mV/V	2.0 ± 0.002		
Maximum capacity (Emax)	t	0.05, 1, 2, 3, 5	10, 20, 30, 40, 50	
Max. number of load cell intervals	n _{Lc}	3000		4000
Ratio of min. LC verification interval	Y = Emax / v _{min}	10000		15000
Combined Error	%FS	≤± 0.0230		≤± 0.0174
Minimum dead load	of Emax	0%		
Safe overload	of Emax	150 %		
Ultimate overload	of Emax	300 %		
Zero balance	of FS	< ± 1.0 %		
Excitation, recommended voltage	V	5 ~ 12		
Excitation maximum	V	18		
Input resistance	Ω	700 ± 7		
Output resistance	Ω	703 ± 4		
Insulation resistance	MΩ	≥5000 (at 50VDC)		
Compensated temperature	°C	-10 ~ +40		
Operating temperature	°C	-35 ~ +65		
Storage temperature	°C	-40 ~ +70		
Element material		Stainless steel		
Ingress Protection (acc. to EN 60529)		IP68		
ATEX classification (optional)		II1G Ex ia II1C T4	II1D Ex iaD 20 T73°C	II3G nL IIC T4

Wiring:

- Shielded, 4 conductor cable.
- Cable diameter: Ø 5mm.
- Standard cable length for all C3: 15m and for C4 above 30t: 18m.
- Shield not connected to element.

4-wire diagram



Specifications and dimensions are subject to change without notice and do not constitute any liability whatsoever.

WWW.AESENSORS.NL

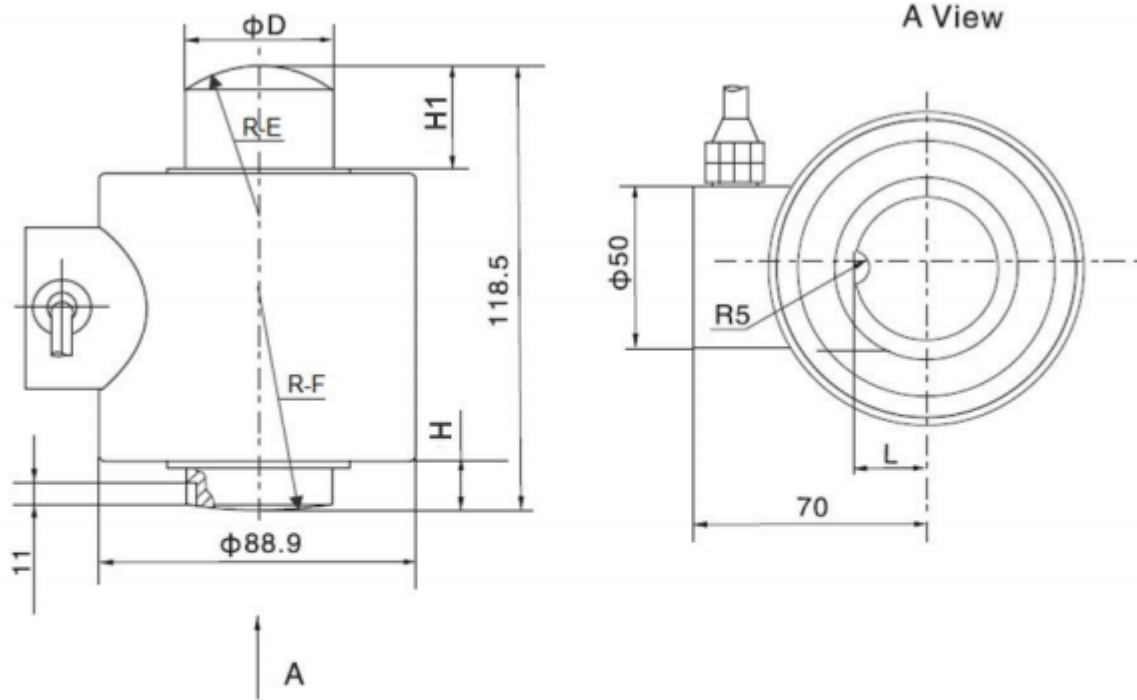


AE Sensors B.V.
Jan Valsterweg 92
3315 LG Dordrecht
Tel.: +31 (0)78 6213152

AE-BM14c type Loadcell

For Compression Loadcells

Dimensions in mm:



Dimension Capacity	ϕD	L	R-E	R-F	H	H1
0.5-30t	40	22	37.5	150	14	31.5
40-50t	50	27	200	200	21	24.5

Specifications and dimensions are subject to change without notice and do not constitute any liability whatsoever.

WWW.AESENSORS.NL

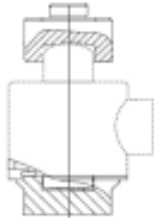
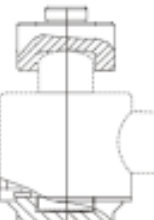
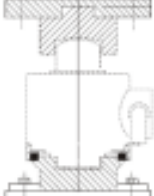
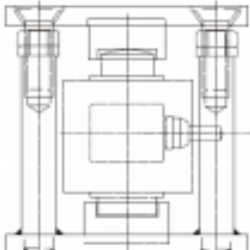
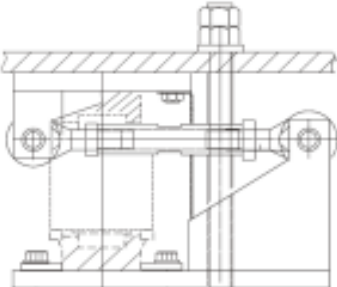
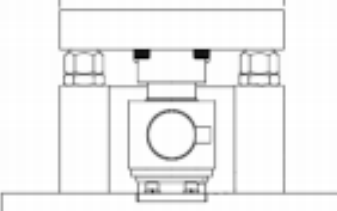


AE Sensors B.V.
 Jan Valsterweg 92
 3315 LG Dordrecht
 Tel.: +31 (0)78 6213152

AE-BM14c type Loadcell

For Compression Loadcells

Available accessories:

<p>BY-14-103-10-50t</p> <ul style="list-style-type: none"> • Easy installation • Good self-aligning ability • Stainless steel • Anti-reversal ability • Can be used under hazardous environments 	
<p>HY-14-104-10-30t</p> <ul style="list-style-type: none"> • Easy installation • Good self-aligning ability • Nickel plated alloy steel • Anti-reversal ability 	
<p>HM-14-403-10-50t</p> <ul style="list-style-type: none"> • Compact construction • Easy installation • Self aligning construction • Nickel plated alloy steel 	
<p>BM-14-414-0.5-50t Mount</p> <ul style="list-style-type: none"> • Stainless steel mount • Easy load cell access • Lift-off protection • Controlled horizontal movement • Rocker support included with mount delivery 	
<p>HM-14-401-10-50t Mount</p> <ul style="list-style-type: none"> • Compact construction • Easy installation • Self aligning construction • Horizontal locating ability • Anti-reversal ability • Nickel plated alloy steel 	
<p>HM-14-434 10-50t Tank mount</p> <ul style="list-style-type: none"> • Nickel plated alloy steel • Easy load cell access • Lift-off protection • Controlled horizontal movement 	

Specifications and dimensions are subject to change without notice and do not constitute any liability whatsoever.