



AE Sensors B.V.
Jan Valsterweg 92
3315 LG Dordrecht
Tel.: +31 (0)78 6213152

AE-BM14.G4 type Loadcell

For Compression Loadcells



Short description:

- Stainless steel IP68 compression load cell.
- Hermetically Sealed.
- Tension and compression applications.
- Suitable for hopper scales and vehicle testing facilities.
- Built in surge arrestors.
- Current calibrated (sc-option).



Test certificate no. TC7815 Revision 0
C of C no R60/2000-NL1-10.10
Certificate no. 10-087

Available models:

Capacity	Full article description	Accuracy
10 t	AE-BM14.G4-C3/C4-10t-15B-SC	C3/C4
20 t	AE-BM14.G4-C3/C4-20t-15B-SC	C3/C4
25 t	AE-BM14.G4-C3/C4-25t-15B-SC	C3/C4
30 t	AE-BM14.G4-C3/C4-30t-15B/18B-SC	C3/C4
40 t	AE-BM14.G4-C3/C4-40t-15B/18B-SC	C3/C4
50 t	AE-BM14.G4-C3/C4-50t-15B/18B-SC	C3/C4

Specifications and dimensions are subject to change without notice and do not constitute any liability whatsoever.

WWW.AESENSORS.NL



AE Sensors B.V.
Jan Valsterweg 92
3315 LG Dordrecht
Tel.: +31 (0)78 6213152

AE-BM14.G4 type Loadcell

For Compression Loadcells

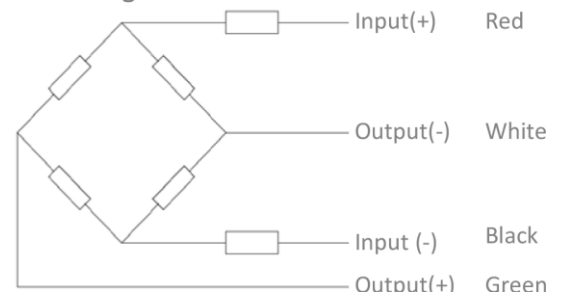
Technical specifications:

Accuracy class		OIML R60 C3	OIML R60 C4	
Output sensitivity (= FS)	mV/V	2.0 ± 0.002		
Maximum capacity (Emax)	t	10, 20, 30, 40, 50		
Max. number of load cell intervals	n_{LC}	3000	4000	
Ratio of min. LC verification interval	$Y = E_{max} / v_{min}$	8800		
Combined Error	%FS	≤± 0.0230	≤± 0.0175	
Minimum dead load	of Emax	0%		
Safe overload	of Emax	150 %		
Ultimate overload	of Emax	300 %		
Zero balance	of FS	< ± 1.0 %		
Excitation, recommended voltage	V	5 ~ 12		
Excitation maximum	V	18		
Input resistance	Ω	700 ± 7		
Output resistance	Ω	703 ± 4		
Insulation resistance	MΩ	≥5000 (at 50VDC)		
Compensated temperature	°C	-10 ~ +40		
Operating temperature	°C	-35 ~ +65		
Storage temperature	°C	-40 ~ +70		
Element material		Stainless steel		
Ingress Protection (acc. to EN 60529)		IP68		
ATEX classification (optional)		II1G Ex ia II1C T4	II1D Ex iaD 20 T73°C	II3G nL IIC T4

Wiring:

- Shielded, 4 conductor cable.
- Cable diameter: Ø 5mm.
- Standard cable length: 15m.
- Shield not connected to element.

4-wire diagram



Specifications and dimensions are subject to change without notice and do not constitute any liability whatsoever.

Dimensions in mm:

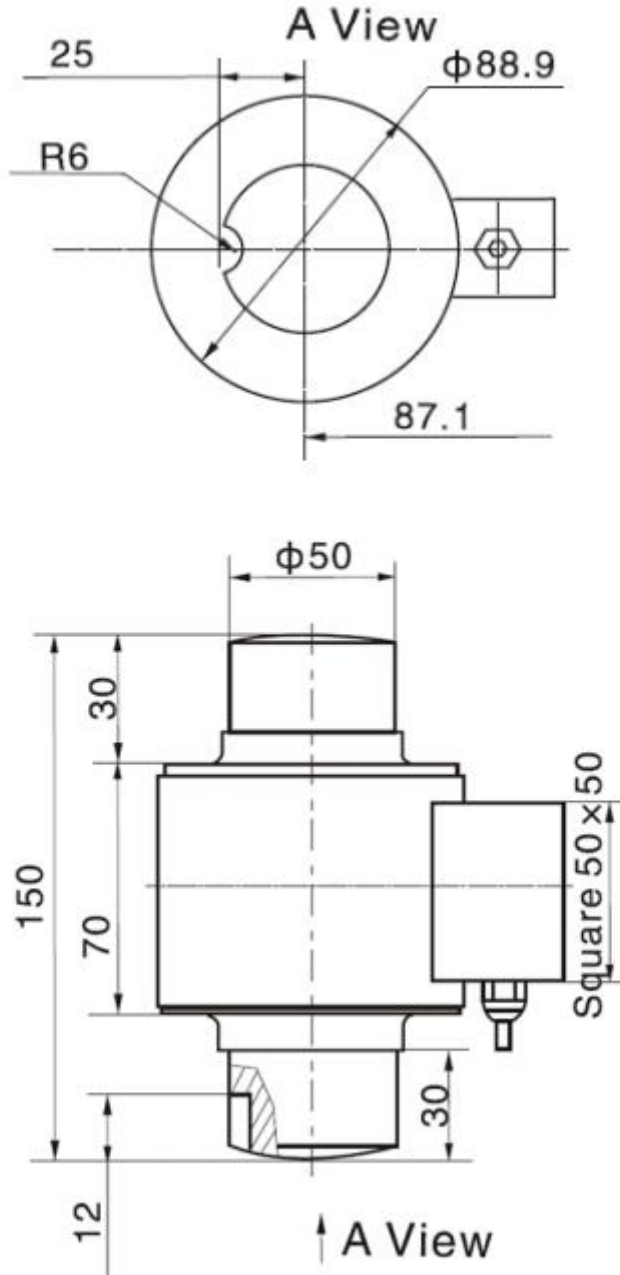
WWW.AESENSORS.NL



AE Sensors B.V.
Jan Valsterweg 92
3315 LG Dordrecht
Tel.: +31 (0)78 6213152

AE-BM14.G4 type Loadcell

For Compression Loadcells



Specifications and dimensions are subject to change without notice and do not constitute any liability whatsoever.

WWW.AESENSORS.NL

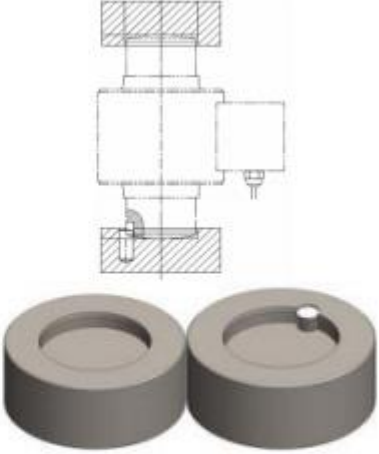




AE Sensors B.V.
Jan Valsterweg 92
3315 LG Dordrecht
Tel.: +31 (0)78 6213152

AE-BM14.G4 type Loadcell

For Compression Loadcells

Available accessories:

<p>BY-14-108-10-50t rocker support</p> <ul style="list-style-type: none">• 1 piece, top, without mounting holes• 1 piece, bottom, without mounting holes• Stainless steel• Anti-rotation pin in the bottom base	
<p>BY-14-125-10-50t rocker support</p> <ul style="list-style-type: none">• The same as the BY-14-108 but with mounting holes in the top base• Stainless steel• Anti-rotation pin in the bottom base	
<p>BY-14-126-10-50t rocker support</p> <ul style="list-style-type: none">• The same as the BY-14-108 but with mounting holes in both top and bottom base• Stainless steel• Anti-rotation pin in the bottom base	

Specifications and dimensions are subject to change without notice and do not constitute any liability whatsoever.