



**AE Sensors B.V.**  
Jan Valsterweg 92  
3315 LG Dordrecht  
Tel.: +31 (0)78 6213152

# AE-BM14.D type Loadcell

**For Compression Loadcells**



## Short description:

- Stainless steel IP68 compression/tension load cell.
- Hermetically Sealed.
- Suitable for hopper scales and vehicle testing facilities.
- Built in surge arrestors.

## Available models:

Capacity	Full article description	Accuracy
10 t	AE-BM14.D-C2-10t-20B	C2
20 t	AE-BM14.D-C2-20t-20B	C2
25 t	AE-BM14.D-C2-25t-20B	C2
30 t	AE-BM14.D-C2-30t-20B	C2
40 t	AE-BM14.D-C2-40t-20B	C2
50 t	AE-BM14.D-C2-50t-20B	C2
100 t	AE-BM14.D-C2-100t-20B	C2

Specifications and dimensions are subject to change without notice and do not constitute any liability whatsoever.

**WWW.AESENSORS.NL**



**AE Sensors B.V.**  
 Jan Valsterweg 92  
 3315 LG Dordrecht  
 Tel.: +31 (0)78 6213152

# AE-BM14.D type Loadcell

**For Compression Loadcells**

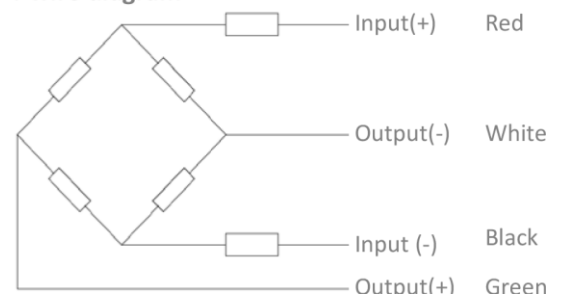
## Technical specifications:

Accuracy class		C2		
Output sensitivity ( = FS )	mV/V	1.5 ± 0.002		
Maximum capacity ( Emax )	t	10, 20, 30, 40, 50, 100		
Max. number of load cell intervals	$n_{Lc}$	2000		
Ratio of min. LC verification interval	$Y = E_{max} / v_{min}$	5000		
Combined Error	%FS	≤ ± 0.030		
Minimum dead load	of Emax	0%		
Safe overload	of Emax	150 %		
Ultimate overload	of Emax	300 %		
Zero balance	of FS	< ± 1.0 %		
Excitation, recommended voltage	V	5 ~ 12		
Excitation maximum	V	18		
Input resistance	Ω	700 ± 7		
Output resistance	Ω	703 ± 4		
Insulation resistance	MΩ	≥5000 ( at 50VDC )		
Compensated temperature	°C	-10 ~ +40		
Operating temperature	°C	-35 ~ +65		
Storage temperature	°C	-40 ~ +70		
Element material		Stainless steel		
Ingress Protection (acc. to EN 60529)		IP68		
ATEX classification (optional)		II1G Ex ia II1C T4	II1D Ex iaD 20 T73°C	II3G nL IIC T4

## Wiring:

- Shielded, 4 conductor cable.
- Cable diameter: Ø 5mm.
- Standard cable length: 20m.
- Shield not connected to element.

4-wire diagram



Specifications and dimensions are subject to change without notice and do not constitute any liability whatsoever.

Dimensions in mm:

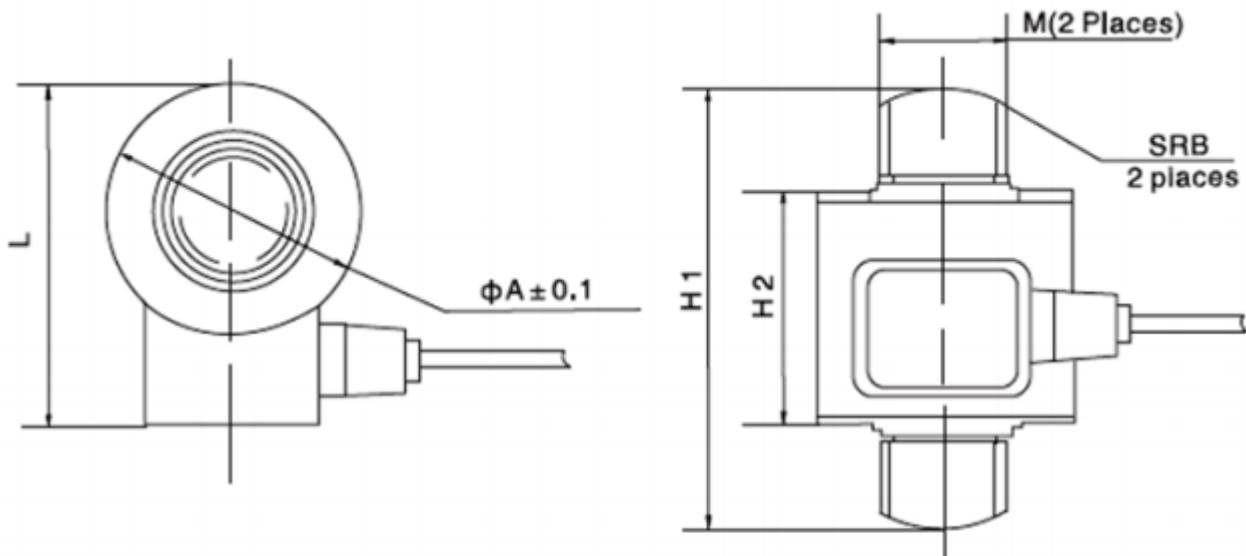
**WWW.AESENSORS.NL**



AE Sensors B.V.  
Jan Valsterweg 92  
3315 LG Dordrecht  
Tel.: +31 (0)78 6213152

# AE-BM14.D type Loadcell

For Compression Loadcells



Dimension Capacity	H1	H2	$\phi A$	L	SRB	M
10t, 20t	180	69.3	73	99.7	200	M36 x 3
25t, 30t	200	70	88.9	115.6	250	M42 x 3
40t, 50t	250	99.3	105	138.3	300	M56 x 4
100t	350	131.9	152.4	183.9	400	M76 x 4

Specifications and dimensions are subject to change without notice and do not constitute any liability whatsoever.

[WWW.AESENSORS.NL](http://WWW.AESENSORS.NL)